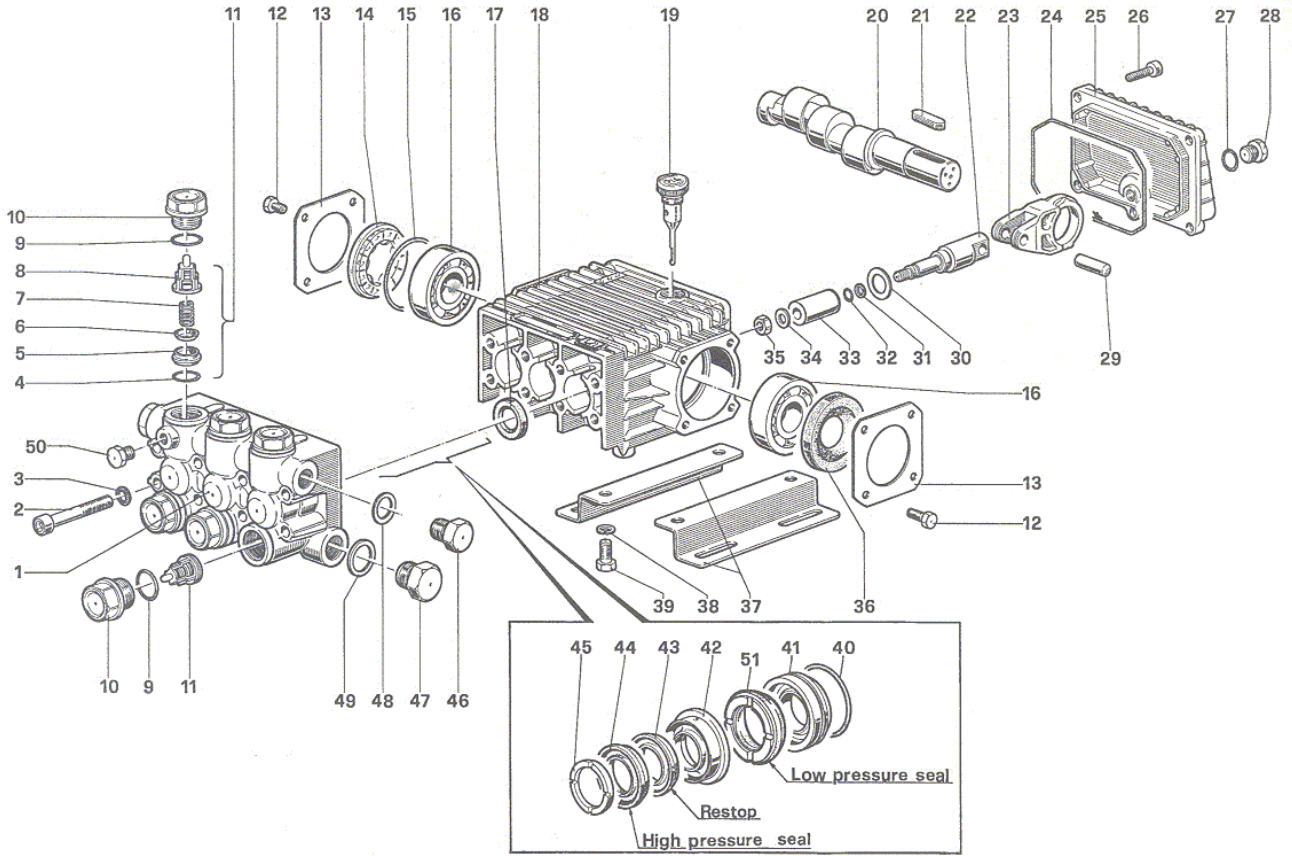


### Series 44

Models: W97, W112, W124, W130, W140, W150, W154, W170, W950, W951, W952, W953, W954, W955, W956, W957, W958, W959, WW116, WW136, WW156, WW176, WW186, WW960, WW961, WW962



### Kit Chart

Kit N.	code	description	Pos. included	N. Pcs.
023	34002301	KIT 23 OIL SEAL D.20X30X5	17	3
123	34012301	KIT 123 INTAKE/DELIVERY VALVE	4 11	6
124	34012401	KIT 124 VALVE CAPS	9 10	6
126	34012601	KIT 126 PACKING RETAINER D.18	40 41	3
127	34012701	KIT 127 PACKING D. 18	43 44 51	3
128	34012801	KIT 128 INTERMEDIATE RING D.18	42	3
129	34012901	KIT 129 HEAD RING D.18	45	6
131	34013101	KIT 131 CPL.SEAL PIST. D. 18	40 41 42 43 44 45 51	1

Parts Detail

Series 44

Models: W97, W112, W124, W130, W140, W150, W154, W170, W950, W951, W952, W953, W954, W955, W956, W957, W958, W959, WW116, WW136, WW156, WW176, WW186, WW960, WW961, WW962

Pos.	code	description	N. Pcs.
1	44120441	MANIFOLD	1
2	99317500	SCREW M 8x60 UNI 5931	8
3	96701400	WASHER 8,4X13X0,8	8
4	90384100	O- RING 17,13X2,62 (3068)	6
5	36200366	VALVE SEAT	6
6	36200176	VALVE PLATE	6
7	94737600	SPRING D. 9,4X14,8	6
8	36202551	VALVE CAGE	6
9	90384700	O- RING 20,24X2,62(3081)	6
10	98222600	VALVE CAP M24X1,5X17	6
11	36711501	INTAKE/DELIVERY VALVE	6
12	99180700	SCREW M 6x10 UNI 5739	8
13	50150074	CRANKCASE COVER	2
14	44211801	SPACER+OIL LEVEL GAUGE	1
15	90409700	O- RING 55,56X3,53 (159)	1
16	91832800	BALL BEARING 6305	2
17	90161400	OIL SEAL 20x30x5	3
18	44010022	CRANKCASE	1
19	98210300	OIL DIP -STICK G3/8X67	1
20	44020635	CRANKSHAFT C.13 (D.24)	1
21	91489200	KEY 8(h9)X7X35 UNI 6604/A	1
22	44050066	PISTON GUIDE	3
23	44030022	CONNECTING ROD	3
24	90392000	O- RING 101,27X2,62 (3400)	1
25	44160022	REAR CRANKCASE COVER	1

26	99183700	SCREW M 6x14 UNI 5931	5
27	90358500	O- RING 10,82X1,78 (2043)	1
28	98204100	PLUG G1/4X9	1
29	97734000	CONNECTING - ROD PIN	3
30	96735000	WASHER D.16X28X1	3
31	90502200	ANTI - EXTRUSION RING	3
32	90357200	O- RING 5,28X1,78 SPEC. (2021)	3
33	44040109	PISTON D.18X37.5	3
34	96700800	WASHER D. 8X13X1	3
35	92221600	NUT M8X13X5	3
36	90164100	OIL SEAL D.25X62X10	1
37	50200074	PUMP FOOT	2
38	96701600	WASHER 8,4	4
39	99303700	SCREW M 8x16 - 5739	4
40	90361200	O- RING 31,47X1,78 (2125)	3
41	44080170	PACKING RETAINER D. 18	3
42	44216170	INTERMEDIATE RING D. 18	3
43	90268300	RESTOP RING D. 18	3
44	90268200	PACKING D. 18	3
45	44100151	HEAD RING D. 18	3
46	98210000	PLUG G3/8X13	1
47	98217600	PLUG G1/2X10	1
48	96738000	WASHER 17,5X23X1,5	1
49	96751400	WASHER 21,5X27X1,5	1
50	98196600	PLUG G1/8X8	1
51	90268400	PACKING 18X30X7 (L.P.)	3